



presston™ 100

Positive Pressure Manifold User Guide

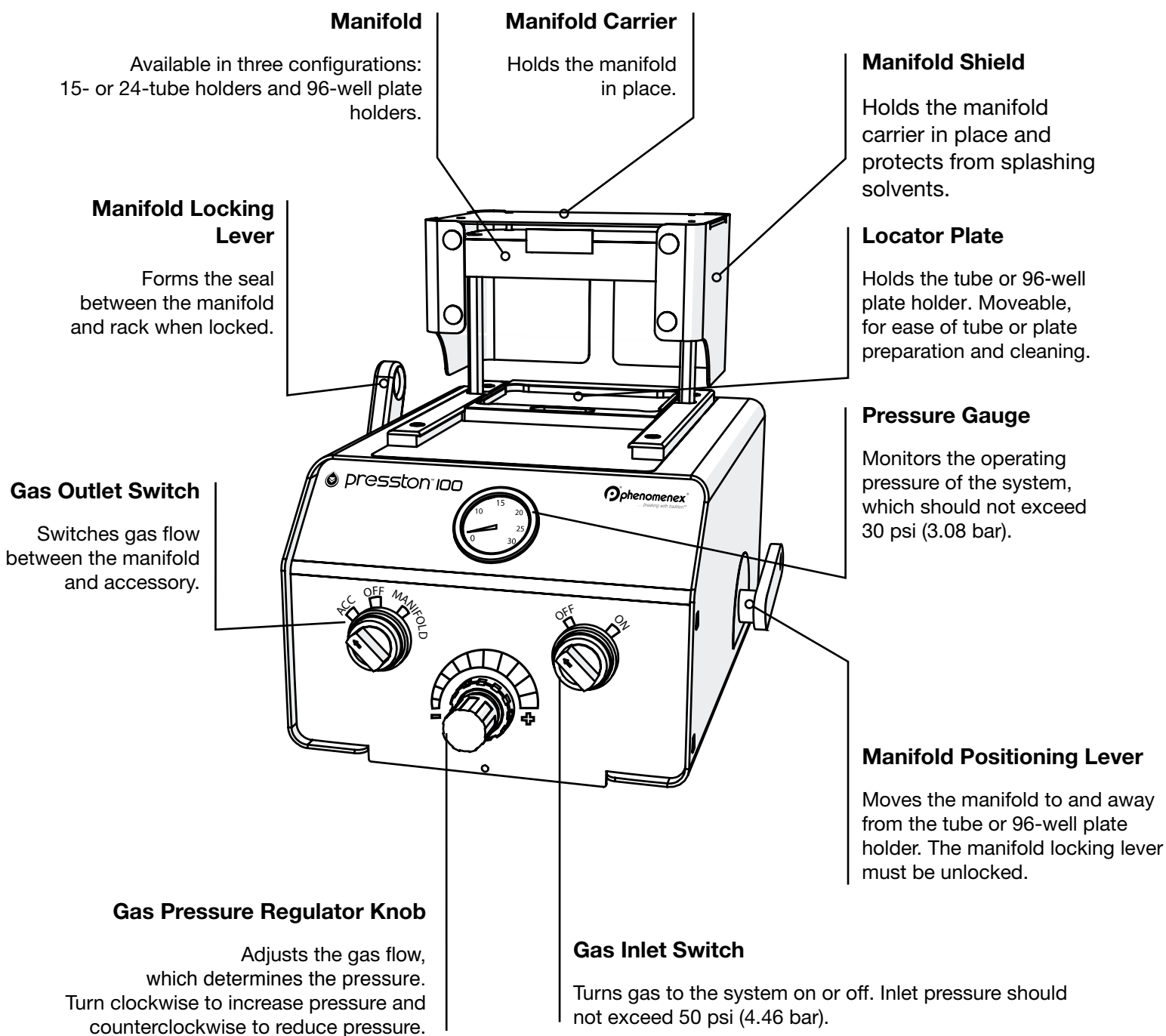
Part Numbers: AH0-9334, AH0-9342, AH0-9343, and AH0-9347

 **phenomenex**[®]
...breaking with traditionSM



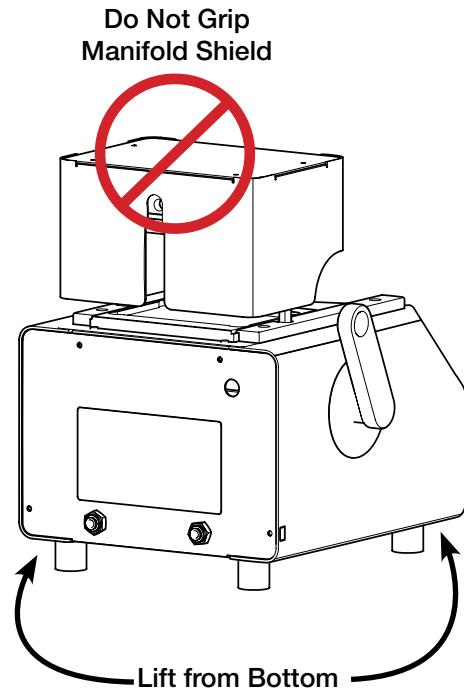
Description

Refer to the diagram below for detailed descriptions of the PRESSTON™ 100 system and components.



Unpacking

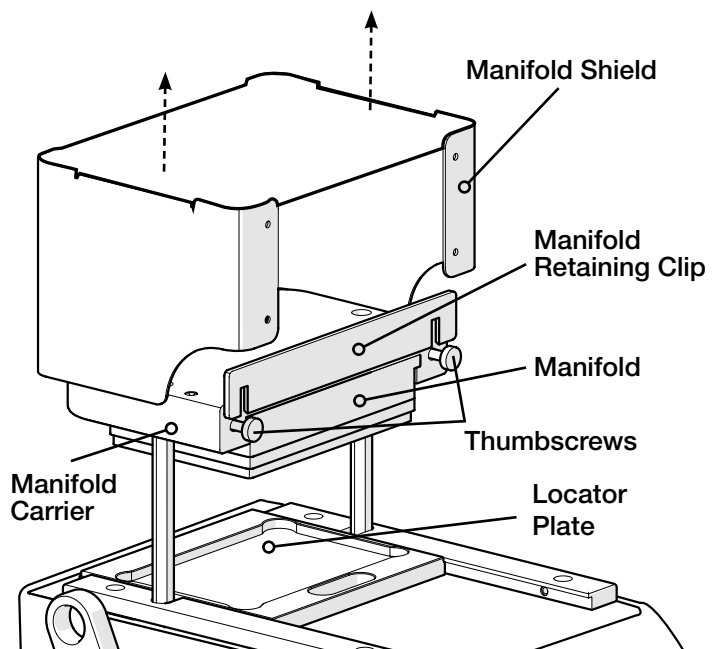
1. After removing the molded foam around the instrument, remove the instrument accessory kit, which includes:
 - » ¼ in. (OD) gas tubing (8 ft.)
 - » Locator plate
2. Remove the manifold with accompanying accessories, which includes:
 - » Manifold for 15- or 24-tube holders or 96-well plate rack holder
 - » Replacement gasket
 - » Replacement O-ring
3. Using both hands, grasp the instrument from the bottom and lift up. Do not grip the instrument by the manifold shield.
4. Place the instrument on a lab bench.



Setup

Manifold and Locator Plate

1. Position the manifold carrier to the midpoint using the manifold positioning lever.
2. Remove the manifold shield and set aside.
3. Loosen the thumbscrews to free the manifold retaining clip, but do not remove the thumbscrews.
4. Set the manifold retaining clip aside.
5. Slide the manifold into the manifold carrier.
6. Install the manifold retaining clip. Tighten thumbscrews to finger tight.
7. Slide the locator plate into the instrument bed until the plate stops in the back position.



Setup (cont'd)

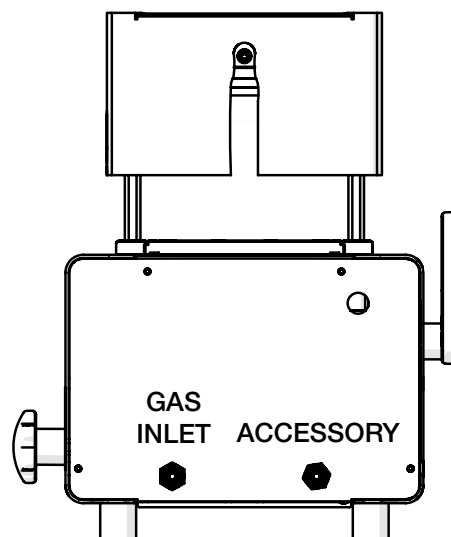
Gas Supply

1. Ensure that the gas inlet and outlet switches are set to OFF.
2. Connect the gas tubing supplied in the accessory kit to the gas supply with appropriate fittings.
3. Connect the gas tubing to the GAS INLET port on the back of the instrument.

NOTICE

The maximum inlet pressure for the instrument is 50 psi (4.46 bar).

4. Set the gas inlet switch to ON.

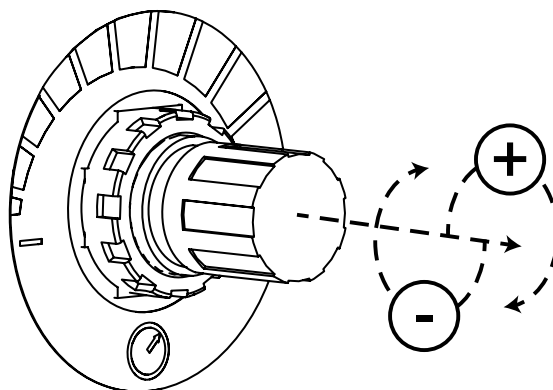


Instrument Pressure Control

1. Pull out the gas pressure regulator knob to make adjustments to the gas pressure.
 - » Turn the knob counterclockwise to decrease the pressure.
 - » Turn the knob clockwise to increase the pressure.
2. Push in the gas pressure regulator knob to lock the regulator into position.

Loading the Locator Plate

1. Slide the locator plate out, being careful not to slide it so far that it is no longer on the track.
2. Place the tube or 96-well plate holder on the locator plate.
3. Push the locator plate back until it reaches the hard stop at the back of the instrument bed.



Setup (cont'd)

Seating the Manifold

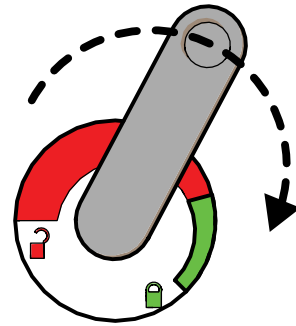
1. Turn the manifold positioning lever toward the back until the manifold touches the top of the tube or 96-well plate holder.

NOTICE

Do not attempt to use the manifold positioning knob to create the seal.

- » If the plate does not seat properly, raise the manifold slightly with the manifold positioning lever and reposition the tube or 96-well plate holder.

2. Rotate the manifold locking lever toward the front of the instrument, indicated by a green lock on the label.
3. Make final adjustments to pressure with the gas pressure regulator knob before beginning the operation.



Operation

1. Ensure that gas inlet switch is ON. Adjust pressure control to 0 PSI. Turn the gas outlet switch to MANIFOLD position, then rotate knob clockwise to increase to desired pressure (see Instrument Pressure Control instructions).
2. Upon completion of the operation, turn the gas outlet switch to OFF.

Plate Removal

1. Rotate the manifold locking lever toward the back of the instrument, indicated by a red lock on the label. Some residual adhesion between the manifold and tubes or 96-well plate may remain.
2. Turn the manifold positioning lever toward the front until the manifold is at the desired height.
3. Slide the locator plate out, being careful not to slide it so far that it is no longer on the track.
4. Verify that the desired results are achieved in all tubes or wells. Repeat operation steps as necessary.
5. Remove the tube or 96-well plate holder from the locator plate.
6. Set the gas inlet switch to OFF.

Maintenance

Manifold Gasket Replacement

1. Remove the manifold from the manifold carrier.
2. Set the manifold down with the gasket facing up.
3. Peel the gasket away, starting from the corner. Discard the gasket.
4. Clean off any excess adhesive from the manifold using methanol.
5. Locate the replacement gasket.
6. Peel away the adhesive backing on the new gasket, starting from the corner. Discard the backing material.
7. Align the new gasket with the four corners of the manifold before attaching the gasket with the adhesive side facing down.

Do More with Presston™ 100

The Presston 100 96-Well Positive Pressure Manifold can also process 1, 3, and 6 mL tubes using the following adapter kits.

Presston 100 Tube Adapter Kits

Part No.	Description	Unit
AH0-9344	1 mL Tube Adapter Kit	ea
AH0-9345	3 mL Tube Adapter Kit	ea
AH0-9346	6 mL Tube Adapter Kit	ea

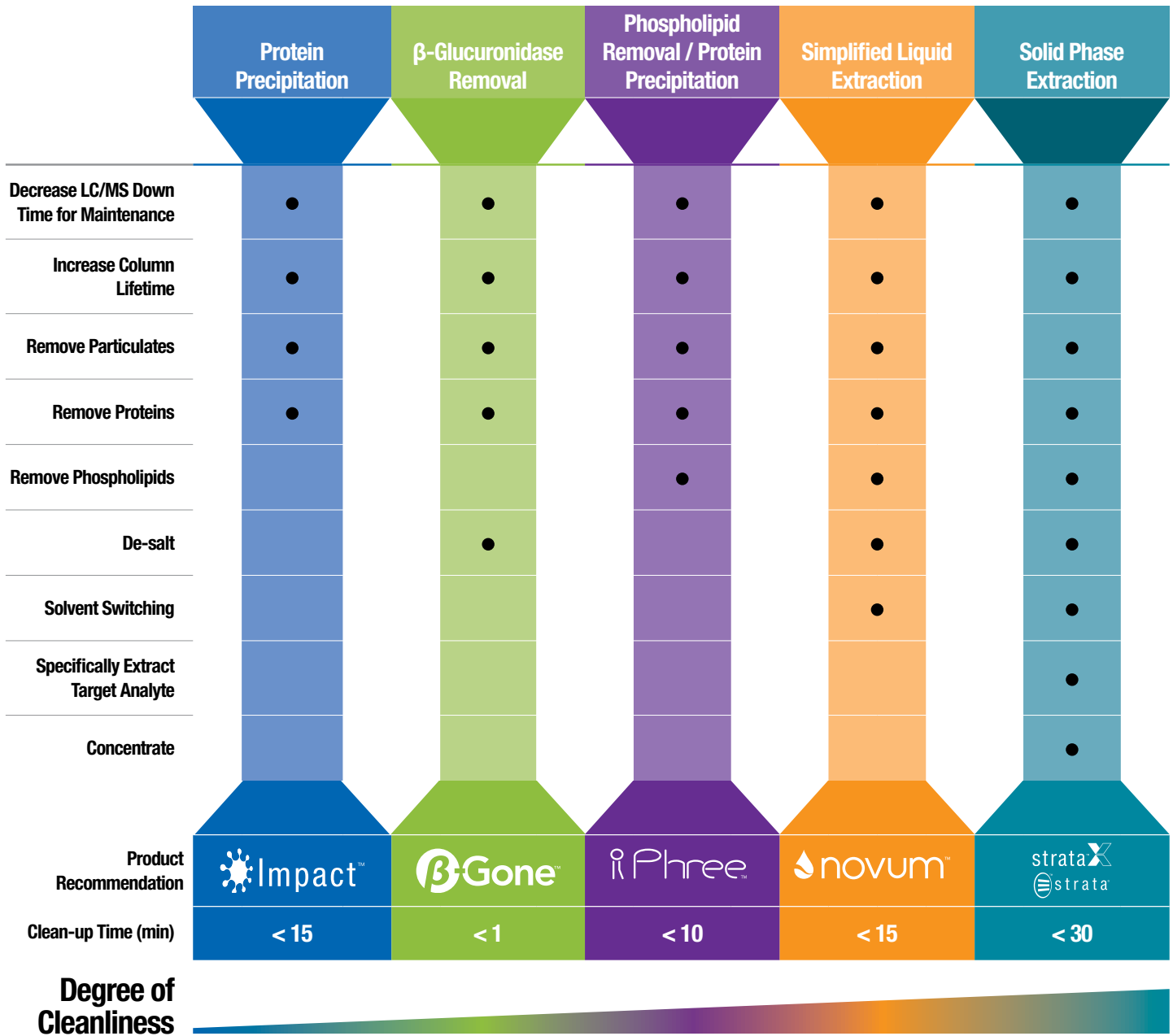
Replacement Parts

Part No.	Description	Unit
AH0-9350	Replacement Gaskets - 96-Well Plate	10/pk
AH0-9348	Replacement Gaskets - 1 and 3 mL Tubes	10/pk
AH0-9349	Replacement Gaskets - 6 mL Tubes	10/pk
AH0-9351	Collection Trough, Drain	ea



Phenomenex warrants the Presston 100 Positive Pressure Manifold against defects in materials and workmanship under normal installation, use and maintenance for a period of 12 months following delivery. In the event that the Presston 100 Positive Pressure Manifold does not meet this warranty, Phenomenex will repair or replace defective parts. Expendable items and physical damage caused by improper handling or damage caused by spillage or exposure to any corrosive environment are excluded from this warranty. The warranty will be voided in the event the equipment is altered or modified other than by, or at the direction of, personnel of Phenomenex.

Perform all of Your Sample Preparation with Presston 100



Find out more at www.phenomenex.com/sampleprep

Positive Pressure Manifold User Guide

Australia

t: +61 (0)2-9428-6444
f: +61 (0)2-9428-6445
auinfo@phenomenex.com

Austria

t: +43 (0)1-319-1301
f: +43 (0)1-319-1300
anfrage@phenomenex.com

Belgium

t: +32 (0)2 503 4015 (French)
t: +32 (0)2 511 8666 (Dutch)
f: +31 (0)30-2383749
beinfo@phenomenex.com

Canada

t: +1 (800) 543-3681
f: +1 (310) 328-7768
info@phenomenex.com

China

t: +86 (0)20 2282-6668
f: +86 (0)20 2809-8130
chinainfo@phenomenex.com

Denmark

t: +45 4824 8048
f: +45 4810 6265
nordicinfo@phenomenex.com

Finland

t: +358 (0)9 4789 0063
f: +45 4810 6265
nordicinfo@phenomenex.com

France

t: +33 (0)1 30 09 21 10
f: +33 (0)1 30 09 21 11
franceinfo@phenomenex.com

Germany

t: +49 (0)6021-58830-0
f: +49 (0)6021-58830-11
anfrage@phenomenex.com

India

t: +91 (0)40-3012 2400
f: +91 (0)40-3012 2411
indiainfo@phenomenex.com

Ireland

t: +353 (0)1 247 5405
f: +44 1625-501796
eirinfo@phenomenex.com

Italy

t: +39 051 6327511
f: +39 051 6327555
italiainfo@phenomenex.com

Luxembourg

t: +31 (0)30-2418700
f: +31 (0)30-2383749
nlinfo@phenomenex.com

Mexico

t: 01-800-844-5226
f: 001-310-328-7768
tecnicomx@phenomenex.com

The Netherlands

t: +31 (0)30-2418700
f: +31 (0)30-2383749
nlinfo@phenomenex.com

New Zealand

t: +64 (0)9-4780951
f: +64 (0)9-4780952
nzinfo@phenomenex.com

Norway

t: +47 810 02 005
f: +45 4810 6265
nordicinfo@phenomenex.com

Puerto Rico

t: +1 (800) 541-HPLC
f: +1 (310) 328-7768
info@phenomenex.com

Spain

t: +34 91-413-8613
f: +34 91-413-2290
espinfo@phenomenex.com

Sweden

t: +46 (0)8 611 6950
f: +45 4810 6265
nordicinfo@phenomenex.com

United Kingdom

t: +44 (0)1625-501367
f: +44 (0)1625-501796
ukinfo@phenomenex.com

USA

t: +1 (310) 212-0555
f: +1 (310) 328-7768
info@phenomenex.com

All other countries Corporate Office USA 

t: +1 (310) 212-0555
f: +1 (310) 328-7768
info@phenomenex.com